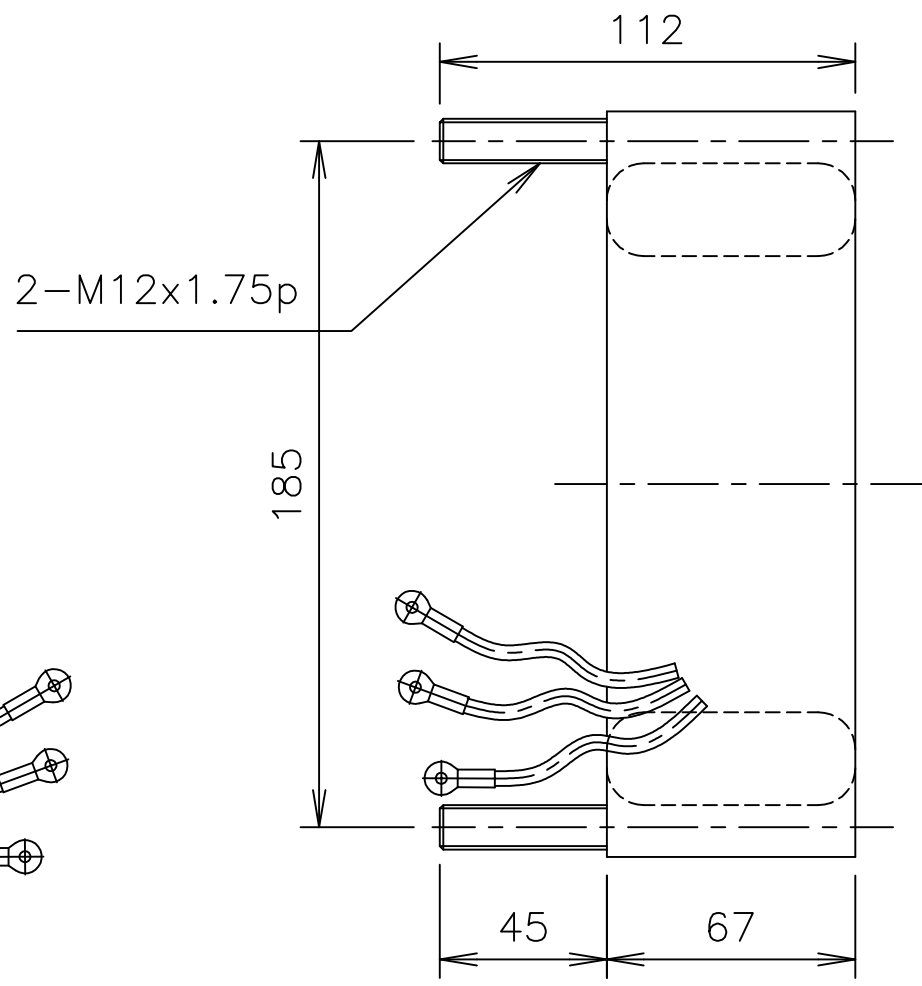
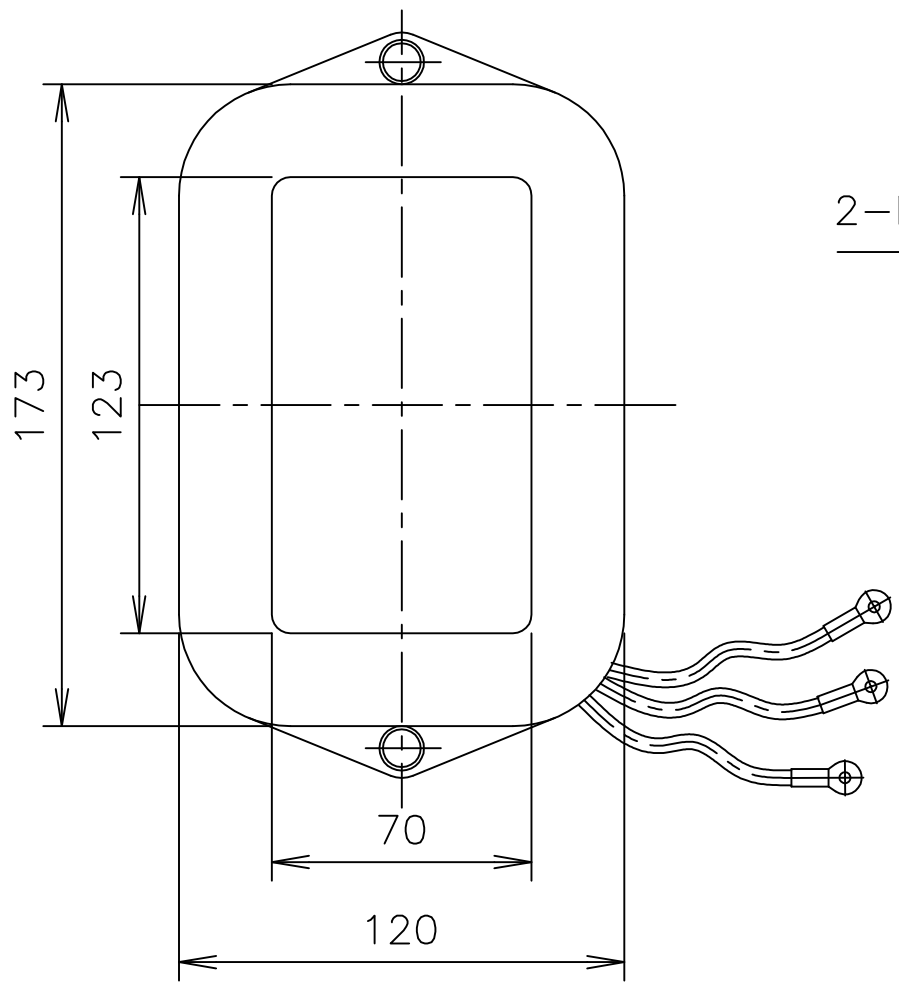



| NO. | DESCRIPTION | SPEC' | MAT'L | Q'TY | T/W | REMARK |
|-----|-------------|-------|-------|------|-----|--------|
|-----|-------------|-------|-------|------|-----|--------|



Max. Amp. 5.0A @ 440V

| NO. | DESCRIPTION | SPEC' | MAT'L | Q'TY | T/W | REMARK |
|---|-------------|----------|--------------------------|-------------|------------------|--------|
| CUSTOMER. — | | | NAME: F-33B | | | |
|  | | | DRAWING NO. SWECF33-CL-D | | | |
| APPROVED | CHECKED | DESIGNED | DRAWN | SCALE. NONE | DATE. 2022.10.04 | |
| | | | | REV. 3 | SH NO. 1 | OF 1 |